



## TN5 Fireproof Drainplug™



According to Norsok R-004 certified for Insulation class 5

- Prevents CUI (Corrosion Under Insulation)
- Drains moisture from the insulation system
- Prevents loss of insulation value
- Easy installation and adjustment to insulation thickness
- In accordance with OTI 95 634 Health and Safety Executive, UK
- Approved and applied by Hydro/Statoil



## **TN5 fireproof drainplugs™**

(Sea-)water or moisture ingress in insulation systems, in combination with temperatures from ambient to approx 175°C, can lead to serious Corrosion Under Insulation (C.U.I.) of pipes and equipment.

### **The problem**

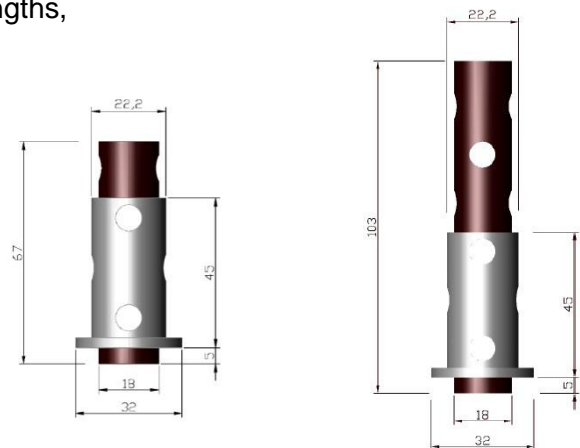
In most hot insulation systems, aluminium or steel cladding is used. In these systems joints and seams are sealed to prevent water ingress and to prevent condensation forming in the insulation. Due to several causes water or moisture still gets in the insulation and will cause deterioration of thermal properties and start corrosion (C.U.I.). Creating an extra back-up is essential.



### **The Solution**

TN5 fireproof drainplugs™ are patented plugs made from stainless steel with an intumescent inner lining. By installing TN5 fireproof drainplugs in the outer jacketing, water or moisture that has penetrated the insulation can drain out freely.

TN5 fireproof drainplugs™ are supplied in 2 standard lengths, 67 and 103mm. Different lengths can be supplied on request.





## Installation procedure

Install TN5 fireproof drainplugs™ at intervals (maximum interval: 3m for Cellular glass and 2m for mineral wool) along horizontal lengths of insulated piping; at the lowest point of insulated vessels/bends and 200mm before every bend, TEE or termination.

Pre-drill a 20 mm hole in the metal jacketing, pierce a hole in the underlying insulation, insert the TN5 fireproof drainplug™ fully into the insulation.

Adjust the length of the TN5 fireproof Drainplug™ inner lining. The length from the flange of the drainplug to the end of the expanding lining shall be equal to the distance from jacket to the pipe less 5mm.

To fix the TN5 fireproof drainplugs drill through the pre-drilled holes in the flange of the drainplug and through the jacket with the 3,3mm drill bit. Fasten the drainplug to the jacket with 3,2mm ss pop nits.

